



Function

VZ diverting zone valves are solid brass valves, specifically designed to be easily and quickly automated through electric actuators; they are compact and can be installed even in 80 mm deep cabinets..

Technical data - Valve

Max. working pressure:	10 bar
Max. working temperature:	120 °C
Temperature range:	-20 ÷ +130 °C
Working fluids:	water in compliance with UNI 8065:2019

Technical data - Actuator

Temperature range:	-20 ÷ +70 °C
Power supply:	230V 50~60Hz
Power consumption:	3,5 Watt
Input signal:	2 points / SPST / On-Off / with internal relay
Torque:	13 Nm max
Valve connection:	Quick Mounting
Run-time:	60 Sec / 90°
Actuator type:	Bidirectional
Angle of rotation:	90°
Degree of protection:	IP54
Weight:	0.65 Kg
Connection:	6-wire cable
Output signal:	230V 50-60Hz 200VA
Auxiliary contact:	250V 10A (AC1)

Materials

Body:	CW 617 N – DW UNI-EN 12165:2016
Ball	CW 614 N – UNI-EN 12164:2016
Pin:	CW 614 N – UNI-EN 12164:2016
Body and cover:	Nylon 6

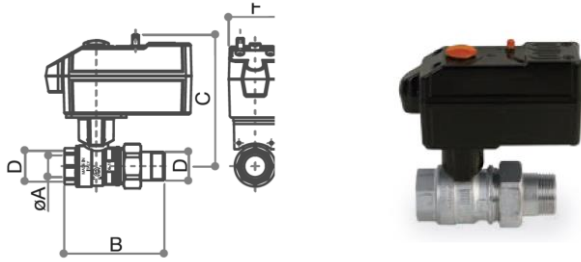
Surface treatment

Nickel-plating

Dimensional Drawings

VZ 700

Zone valve F-M with compact electric actuator.

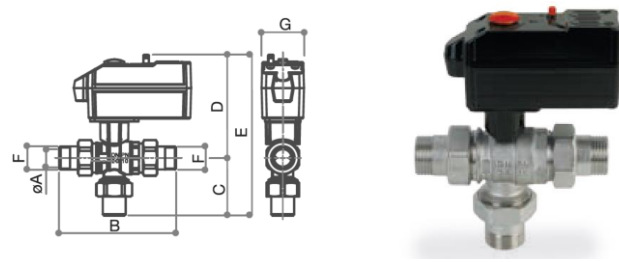


Code	Size	A	B	C	D	E
68812700	G 3/4	20	92	121	G3/4	-
68813400	G 1"	25	105	127	G1"	-
68814200	G 1 1/4"	32	123	133	G1 1/4"	-

Code	Size	F	G	H	L	M
68812700	G 3/4	48	-	-	-	-
68813400	G 1"	48	-	-	-	-
68814200	G 1 1/4"	48	-	-	-	-

VM 702

Zone valve F-M with compact electric actuator.

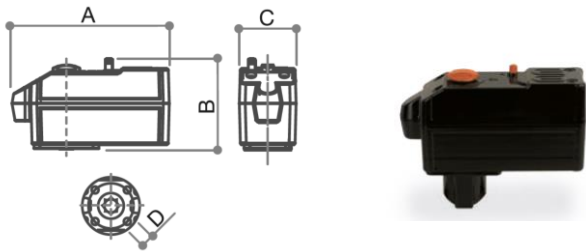


Code	Size	A	B	C	D	E
68822700	G 3/4	20	133	66	118	183
68823400	G 1"	25	151	70	122	192

Code	Size	F	G	H	L	M
68822700	G 3/4	G3/4	48	-	-	-
68823400	G 1"	G1"	48	-	-	-

SM 700

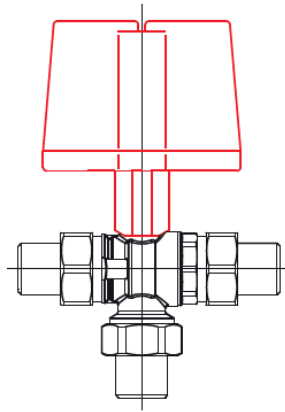
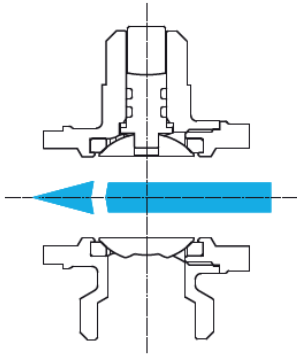
Electric actuator for zone valves VZ 700 and VZ 702..



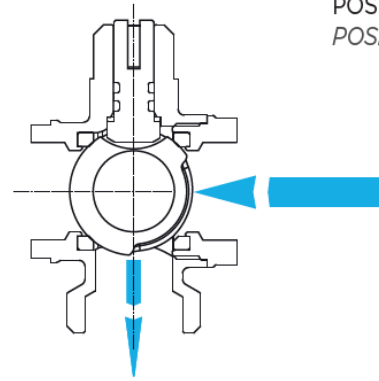
Code	Size	A	B	C	D	E
69011720	230 V-ON/OFF	133	68	48	9	-

Hydraulic Schemes

POSIZIONE 1
POSITION 1

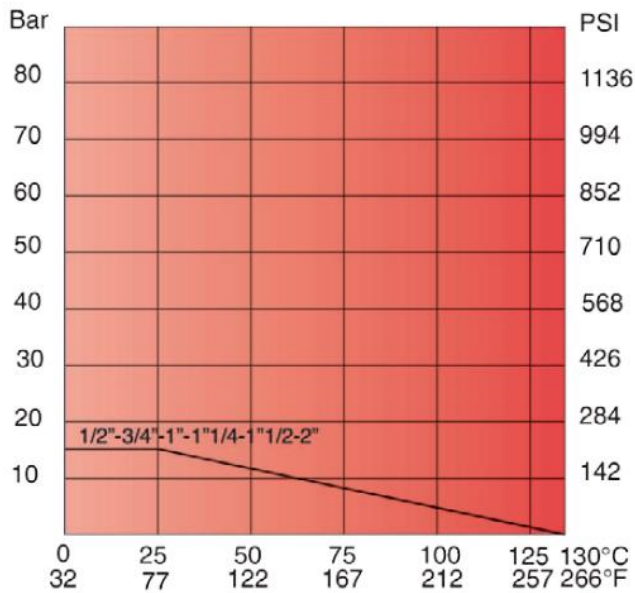


POSIZIONE 2
POSITION 2

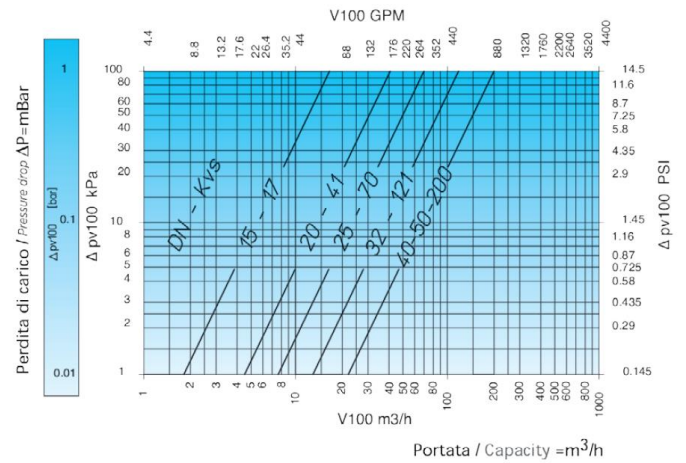


Flow Rate Diagrams

PRESSURE/TEMPERATURE DIAGRAM
(Test conducted with water)

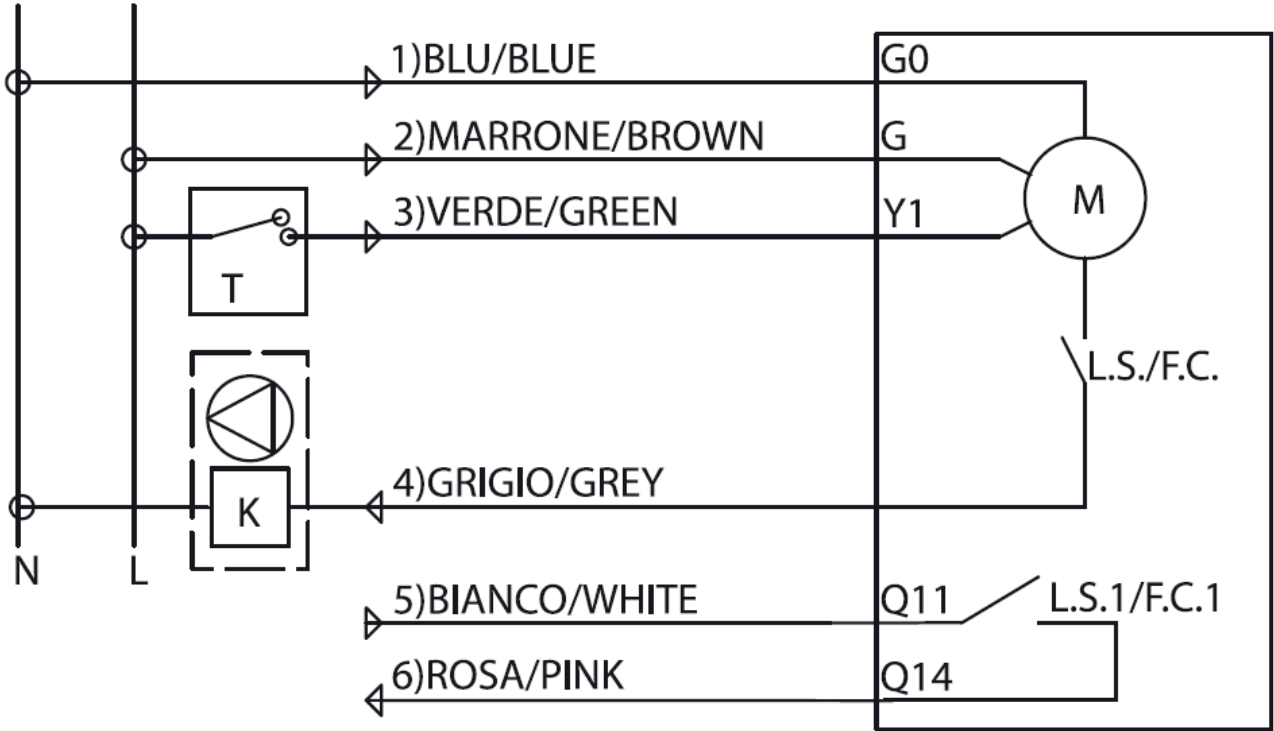


PRESSURE DROP DIAGRAM
(For use with H₂O)



Electrical Connections

SM 700



Wire colour	Direction	Description	Connection
1 BLUE	IN	Phase	Connect to neutral of the power supply
2 BROWN	IN	Phase	Connect to phase of the power supply
3 GREEN	IN	Opening / Closing	Connect the green wire to the phase of the power supply to open the valve
4 GREY	OUT	Phase with open valve	When the valve is open, phase on grey wire
5 WHITE	COMMON	Auxiliary limit switch	Common of auxiliary contact
6 PINK	OUT	Auxiliary limit switch	N.O. of auxiliary contact

Item Specifications

VZ 700

Zone valve F-M with compact electric actuator. Body in nickel-plated CW617N DW UNI EN 12165 brass. Pin in CW614N UNI EN 12164 brass. O-ring and gaskets in elastomere. Working fluids: water and glycol solutions; max. percentage of glycol 30%. Max. working temperature 70 °C. Max. working pressure 10 bar. Actuator see SM700.

VZ 702

3-way zone valve, bypass third way, with compact electric actuator. Body in nickel-plated CW617N DW UNI EN 12165 brass. Pin in CW614N UNI EN 12164 brass. O-ring and gaskets in elastomere. Working fluids: water and glycol solutions; max. percentage of glycol 30%. Max. working temperature 70 °C. Max. working pressure 10 bar. Actuator see SM700.

SM 700

ON-OFF electric actuator for zone valves VZ 700 and VZ 702. Body and cover in nylon 6, AC reversible synchronous motor for single phase, with permanent magnet, 2 directions and 2 coils. Power supply 230V 50-60Hz.



Luxor S.p.A.

Sede amministrativa, stabilimento e uffici commerciali:
Administrative office, factory and commercial office:

Tel.: 030-9961161 – Fax: 030-9961165

info@luxor.it – www.luxor.it

via Madonnina, 94 – 25018 Montichiari - (BS) Italy

*Luxor si riserva il diritto di apportare miglioramenti e modifiche ai prodotti descritti ed ai relativi dati tecnici in qualsiasi momento e senza preavviso -
Luxor reserves the right to ameliorate and modify the above products and their technical data at any time and without notice*