

TECHNICAL SHEET

MODULAR MANIFOLDS WITH FRONT VALVES



30/11/2022

serie CV

OPERATION

Modular manifolds with front valves offer a simple and easy installation. With the valves each single circuit can be independent and identified by two silk-screened disks.

The manifold can regulate and balance each single circuit.

Available with 2, 3 or 4 ways with main connection G3/4 od G1" and W24x19" male, G3/4 Eurokonus, G1/2 male e G1/2 female secondary connections.



Technical features

Max working pressure:	16 bar
Max differential pressure:	1 bar
Max working temperature:	120 °C
Working fluids:	water in compliance with UNI 8065:2019

Material

Body:	CB 753 S – UNI-EN 1982:2017
Shutter:	CW 614 N – DW UNI-EN 12164:2016
Gaskets:	EPDM peroxide
Stem o-ring:	NBR
Handle:	Nylon PA6 white RAL9016
Diskettes:	alluminium

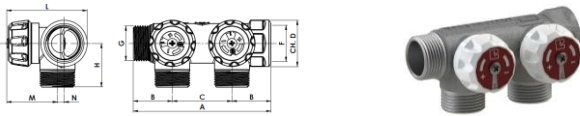
Body finishing

Chrome plating

Dimensional drawings

CV 552

2 ways manifold with front valves
 Connection G/4 Eurokonus.
 Copper, plastic pipe G3/4 Eurokonus



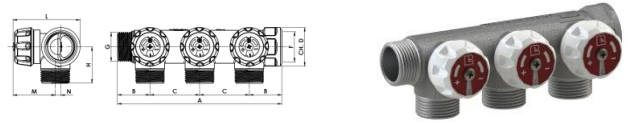
Code	size	A	B	C	D
68202802	G 3/4 x G 3/4 Ek	104	29.5	45	32
68203502	G 1" x G 3/4 Ek	108	31.5	45	37

Code	Size	E	F	G	H
68202802	G 3/4 x G 3/4 Ek	G3/4Ek	G3/4	G3/4	33
68203502	G 1" x G 3/4 Ek	G3/4Ek	G1"	G1"	36

Code	Size	L	M	N	O
68202802	G 3/4 x G 3/4 Ek	61	38.5	5	-
68203502	G 1" x G 3/4 Ek	63	38.5	5	-

CV 553

3 ways manifold with front valves
 Connection G/4 Eurokonus.
 Copper, plastic pipe G3/4 Eurokonus



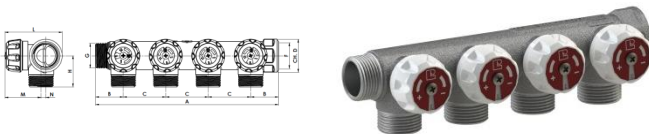
Code	size	A	B	C	D
68202803	G 3/4 x G 3/4 Ek	149	29.5	45	32
68203503	G 1" x G 3/4 Ek	153	31.5	45	37

Code	size	E	F	G	H
68202803	G 3/4 x G 3/4 Ek	G3/4Ek	G3/4	G3/4	33
68203503	G 1" x G 3/4 Ek	G3/4Ek	G1"	G1"	36

Code	size	L	M	N	O
68202803	G 3/4 x G 3/4 Ek	61	38.5	5	-
68203503	G 1" x G 3/4 Ek	63	38.5	5	-

CV 554

4 ways manifold with front valves
 Connection G/4 Eurokonus.
 Copper, plastic pipe G3/4 Eurokonus

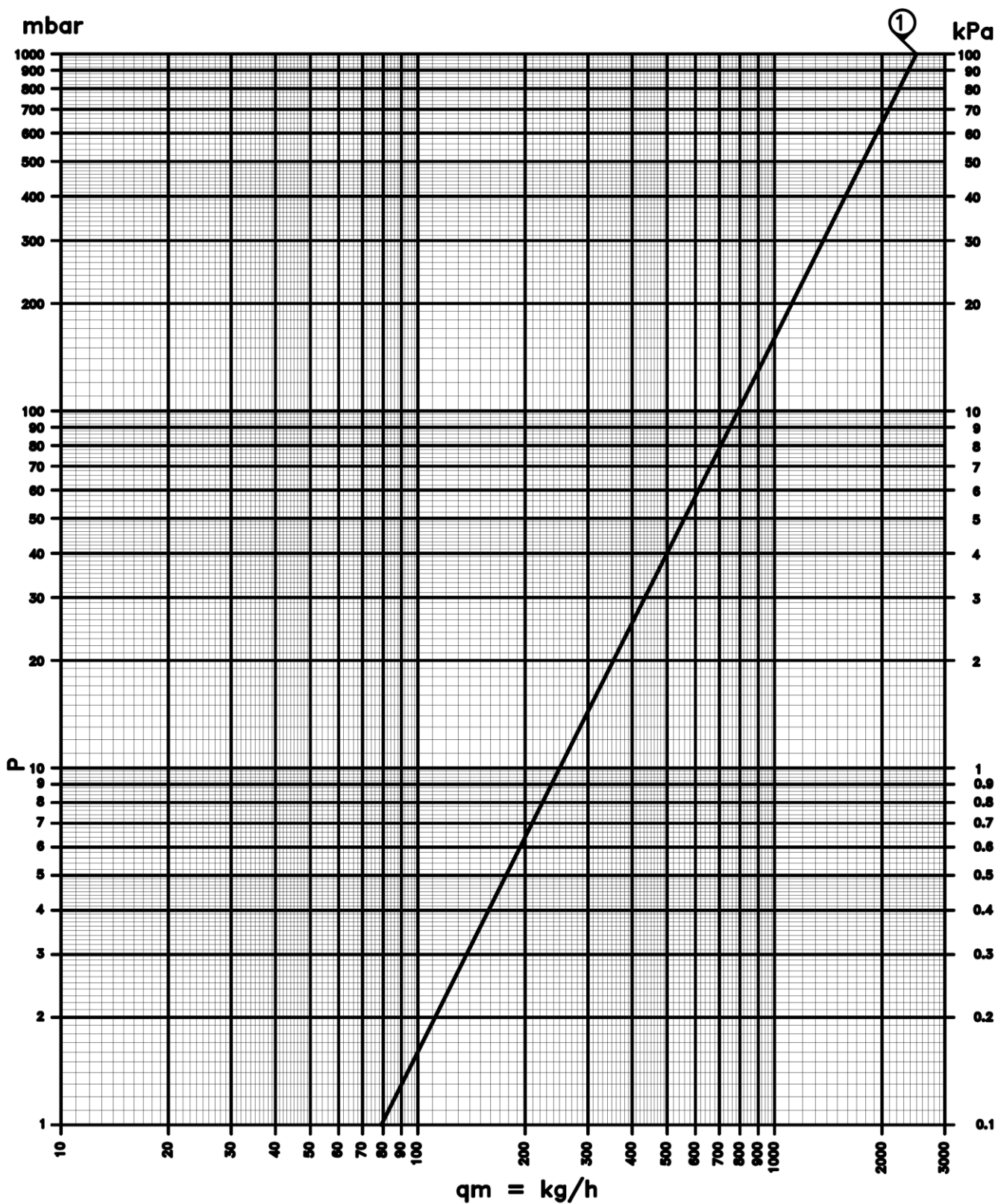


Code	size	A	B	C	D
68202804	G 3/4 x G 3/4 Ek	194	29.5	45	32
68203504	G 1" x G 3/4 Ek	198	31.5	45	37

Code	size	E	F	G	H
68202804	G 3/4 x G 3/4 Ek	G3/4Ek	G3/4	G3/4	33
68203504	G 1" x G 3/4 Ek	G3/4Ek	G1"	G1"	36

Code	size	L	M	N	O
68202804	G 3/4 x G 3/4 Ek	61	38.5	5	-
68203504	G 1" x G 3/4 Ek	63	38.5	5	-

Hydraulic characteristics



Curva	N°giri	Kv	
1	All open	2.50	-

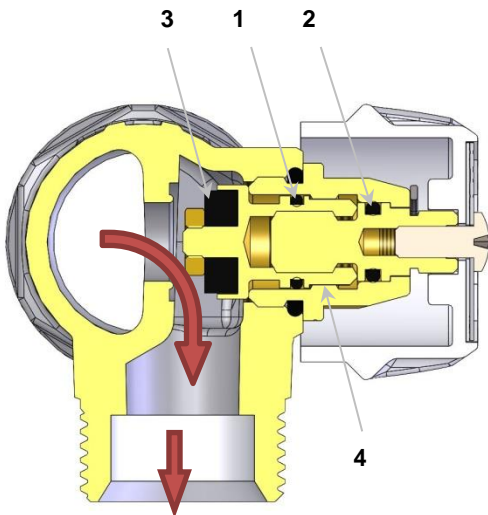
Operating instructions



Circuits can be identified by the metal diskettes supplied.

For a correct assembly of the indicators first choose the side you want to see of the visible plate, blu or red, so that the name of the terminal user can be seen. Place the silk-screened metal insert as shown in the picture the window must show the terminal user.

Once the placing of the indicator is done tighten the screw on the handle.



The modular manifolds with front valve must be installed with the inlet flow as in the picture.

The stem screw of the manifold is safe and reliable thanks to the tightening with two o-rings (1-2) in peroxide EPDM with the tightness of the shutter is secured by a flat NBR gasket (3).

A sealed chamber is created inside the valve (4) where lubricating grease is deposited. In this way, the movement, opening and closing, sliding over time is guaranteed.

The construction of the screw allows the adjustment and balancing of each individual circuit.



Luxor S.p.A.

Sede amministrativa, stabilimento e uffici commerciali:

Administrative office, factory and commercial office:

Tel.: 030-9961161 – Fax: 030-9961165

info@luxor.it – www.luxor.it

via Madonnina, 94 – 25018 Montichiari - (BS) Italy

*Luxor si riserva il diritto di apportare miglioramenti e modifiche ai prodotti descritti ed ai relativi dati tecnici in qualsiasi momento e senza preavviso -
Luxor reserves the right to ameliorate and modify the above products and their technical data at any time and without notice*