



Function

The interaxes between the outlets measure 38 mm. Coplanar manifolds are suitable for water distribution in radial heating systems with horizontal distribution. In fact, the inlet and outlet connections to the circuits are staggered: this allows to easily connect the circuits without any inlet and outlet pipes overlapping. The internal circuits connections enable the transport of high flow rates with very little noise. 3/4" manifolds are available with 4+4, 6+6, 8+8 connections, while 1" manifolds come with 6+6, 8+8 and 10+10 connections.

Technical data

Max. working pressure:	10 bar
Max. working temperature:	120 °C
Working fluids:	water in compliance with UNI 8065:2019

Materials

Body:	EN 1982 cast brass
-------	--------------------

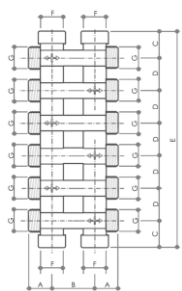
Surface treatment

Nickel-plating

Dimensional Drawings

CC 414

Coplanar manifold with lateral male connections W24x19.
Copper and plastic pipe W24x19

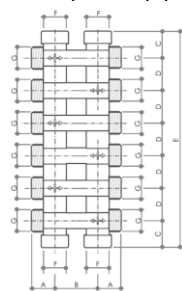


Code	Size	A	B	C	D	E
68542704	4 + 4	27	50	26	38	166
68542706	6 + 6	27	50	26	38	242
68542708	8 + 8	27	50	26	38	318

Code	Size	F	G	H	L	M
68542704	4 + 4	G3/4	W24x19	-	-	-
68542706	6 + 6	G3/4	W24x19	-	-	-
68542708	8 + 8	G3/4	W24x19	-	-	-

CC 416

Coplanar manifold with lateral male connections 3/4 Eurokonus.
Copper and plastic pipe G3/4 Eurokonus

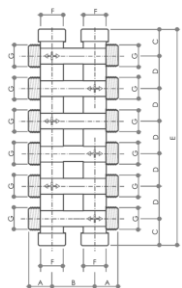


Code	Size	A	B	C	D	E
68542714	4 + 4	27	50	26	38	166
68542716	6 + 6	27	50	26	38	242
68542718	8 + 8	27	50	26	38	318

Code	Size	F	G	H	L	M
68542714	4 + 4	G3/4	G3/4Ek	-	-	-
68542716	6 + 6	G3/4	G3/4Ek	-	-	-
68542718	8 + 8	G3/4	G3/4Ek	-	-	-

CC 413

Coplanar manifold with lateral male connections W24x19.
Copper and plastic pipe W24x19

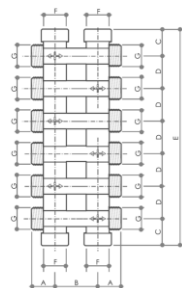


Code	Size	A	B	C	D	E
68543406	6 + 6	30	55	30	38	250
68543408	8 + 8	30	55	30	38	326
68543410	10 + 10	30	55	30	38	402

Code	Size	F	G	H	L	M
68543406	6 + 6	G1"	W24x19	-	-	-
68543408	8 + 8	G1"	W24x19	-	-	-
68543410	10 + 10	G1"	W24x19	-	-	-

CC 415

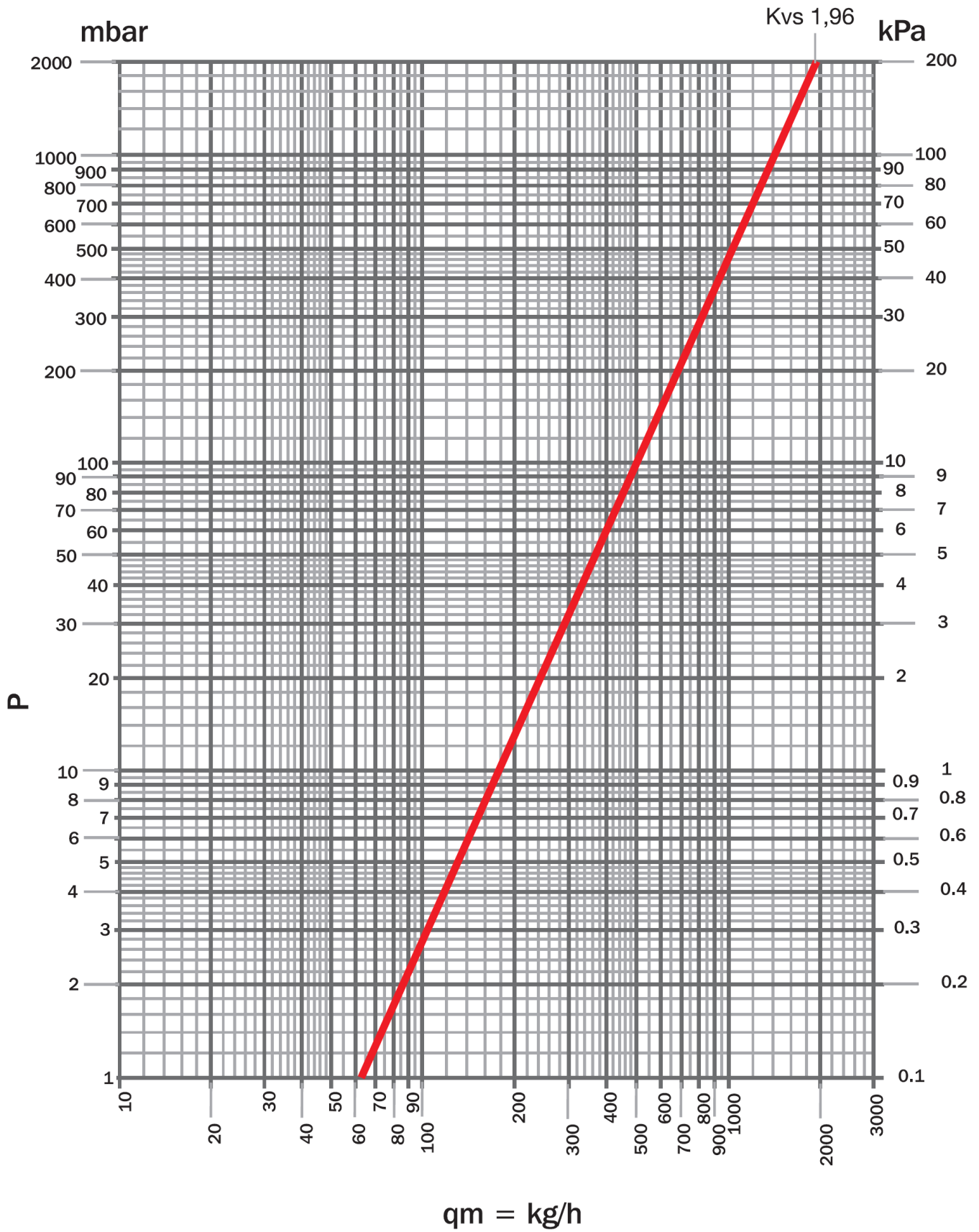
Coplanar manifold with lateral male connections 3/4 Eurokonus.
Copper and plastic pipe G3/4 Eurokonus



Code	Size	A	B	C	D	E
68543416	6 + 6	30	55	30	38	250
68543418	8 + 8	30	55	30	38	326
68543420	10 + 10	30	55	30	38	402

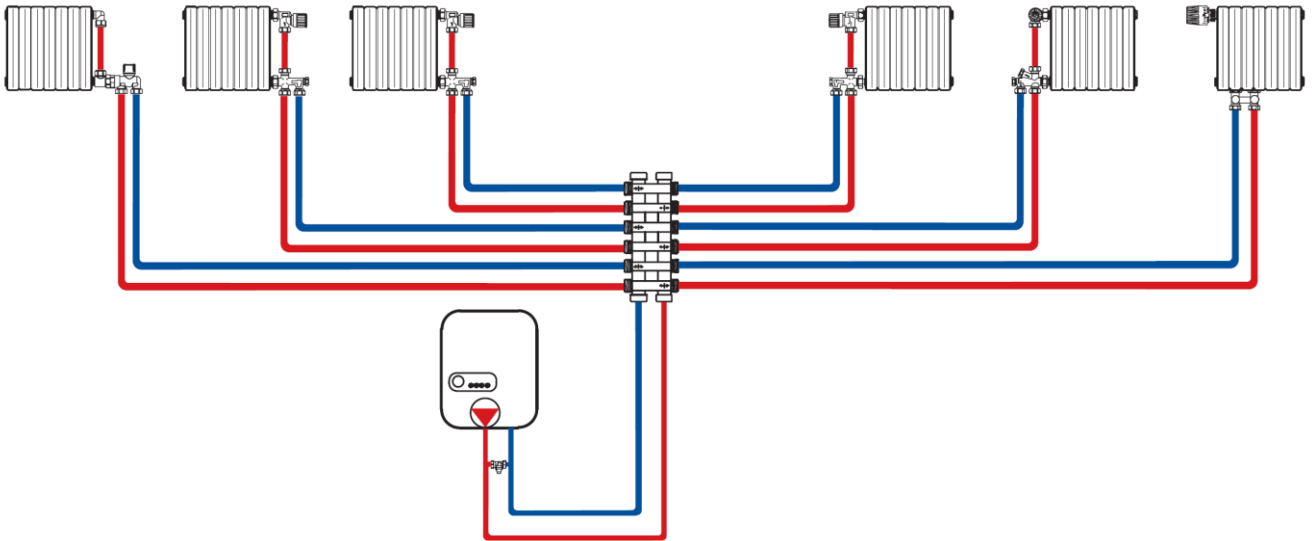
Code	Size	F	G	H	L	M
68543416	6 + 6	G1"	G3/4Ek	-	-	-
68543418	8 + 8	G1"	G3/4Ek	-	-	-
68543420	10 + 10	G1"	G3/4Ek	-	-	-

Hydraulic Characteristics



Curve	Kv	Items
1	1.96	CC 414 3/4; CC 416 3/4; CC 413 1"; CC 415 1". (for each outlet)

Working Instructions



Plastic, copper and multilayer pipes can be connected to all the abovementioned manifolds by using the appropriate TP and TR compression fittings.

Item Specifications

CC 414

Coplanar manifold with G3/4" female main connections. W24x19 male secondary connections for copper, plastic and multilayer pipe. Secondary connections' interaxis 38 mm. Body in nickel-plated cast brass. Max. working temperature 120 °C, max. pressure 10 bar.

CC 416

Coplanar manifold with G3/4" female main connections. G3/4" EK male secondary connections for copper, plastic and multilayer pipe. Secondary connections' interaxis 38 mm. Body in nickel-plated cast brass. Max. working temperature 120 °C, max. pressure 10 bar.

CC 413

Coplanar manifold with G1" female main connections. W24x19 male secondary connections for copper, plastic and multilayer pipe. Secondary connections' interaxis 38 mm. Body in nickel-plated cast brass. Max. working temperature 120 °C, max. pressure 10 bar.

CC 415

Coplanar manifold with G1" female main connections. G3/4" EK male secondary connections for copper, plastic and multilayer pipe. Secondary connections' interaxis 38 mm. Body in nickel-plated cast brass. Max. working temperature 120 °C, max. pressure 10 bar.



Luxor S.p.A.

Sede amministrativa, stabilimento e uffici commerciali:

Administrative office, factory and commercial office:

Tel.: 030-9961161 – Fax: 030-9961165

info@luxor.it – www.luxor.it

via Madonnina, 94 – 25018 Montichiari - (BS) Italy

*Luxor si riserva il diritto di apportare miglioramenti e modifiche ai prodotti descritti ed ai relativi dati tecnici in qualsiasi momento e senza preavviso -
Luxor reserves the right to ameliorate and modify the above products and their technical data at any time and without notice*